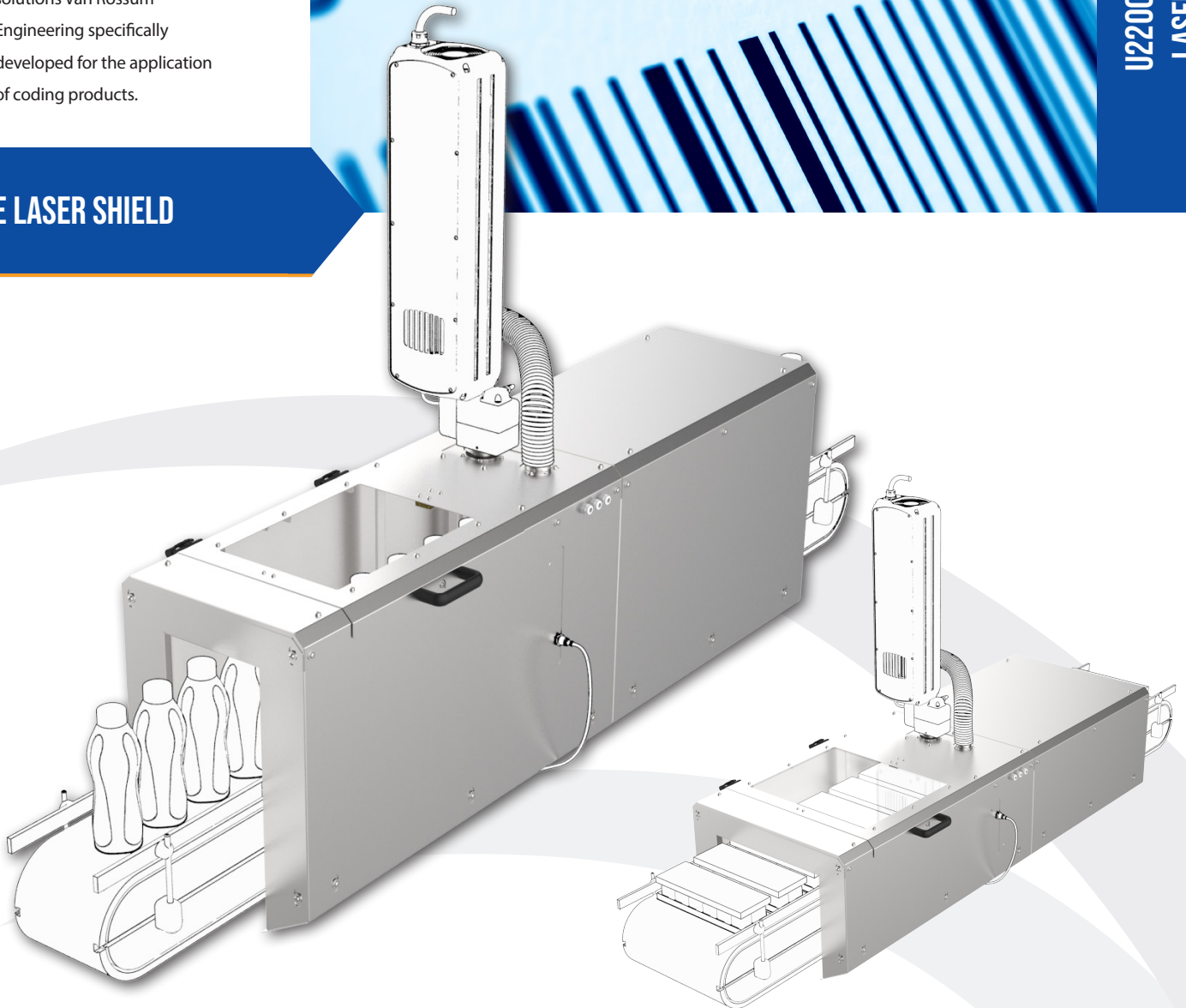


Unicod is a selection of solutions Van Rossum Engineering specifically developed for the application of coding products.

## MID SIZE LASER SHIELD

U2200 MID SIZE  
LASER SHIELD



*A safe laser shield for use when coding mid sized objects*

### Unicod 2200 Mid Size Laser Shield

- Access hatch equipped with Pilz safety switch and friction hinges
- Laser-secure window, 8mm thick
- Fabricated from stainless steel 304
- In accordance with CE machine directive
- According to standard NEN-EN-IEC 60825-4
- Custom designed laser guarding specifically tailored to suit your product

### Optional

- Additional access hatches with Pilz safety switches (Only in combination with U1000 Centralizer)
- Product sensor integration
- Additional windows
- Made of stainless steel 316
- Also available for fiber lasers