


Unicod is a selection of solutions Van Rossum Engineering specifically developed for the application of coding products.



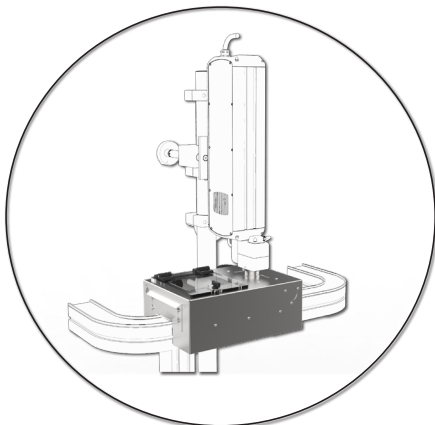
SELECTION MATRIX
 FOR LASER GUARDING

The type of laser guarding is dependent upon the object to be coded

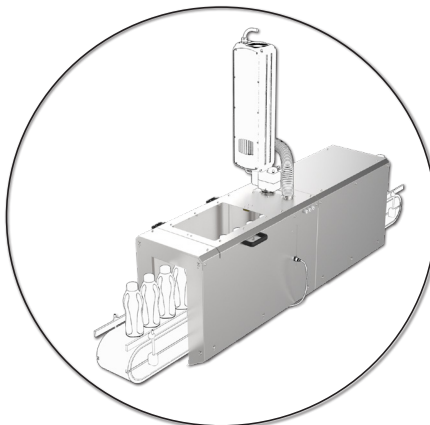
	≤35	≤65	≤120	>120
≤35	U2100	U2100	U2200	U2300
≤65	U2100	U2200	U2200	U2300
≤120	U2200	U2200	U2200	U2300
>120	U2300	U2300	U2300	U2300

* sizing product in mm

U2100



U2200



U2300

