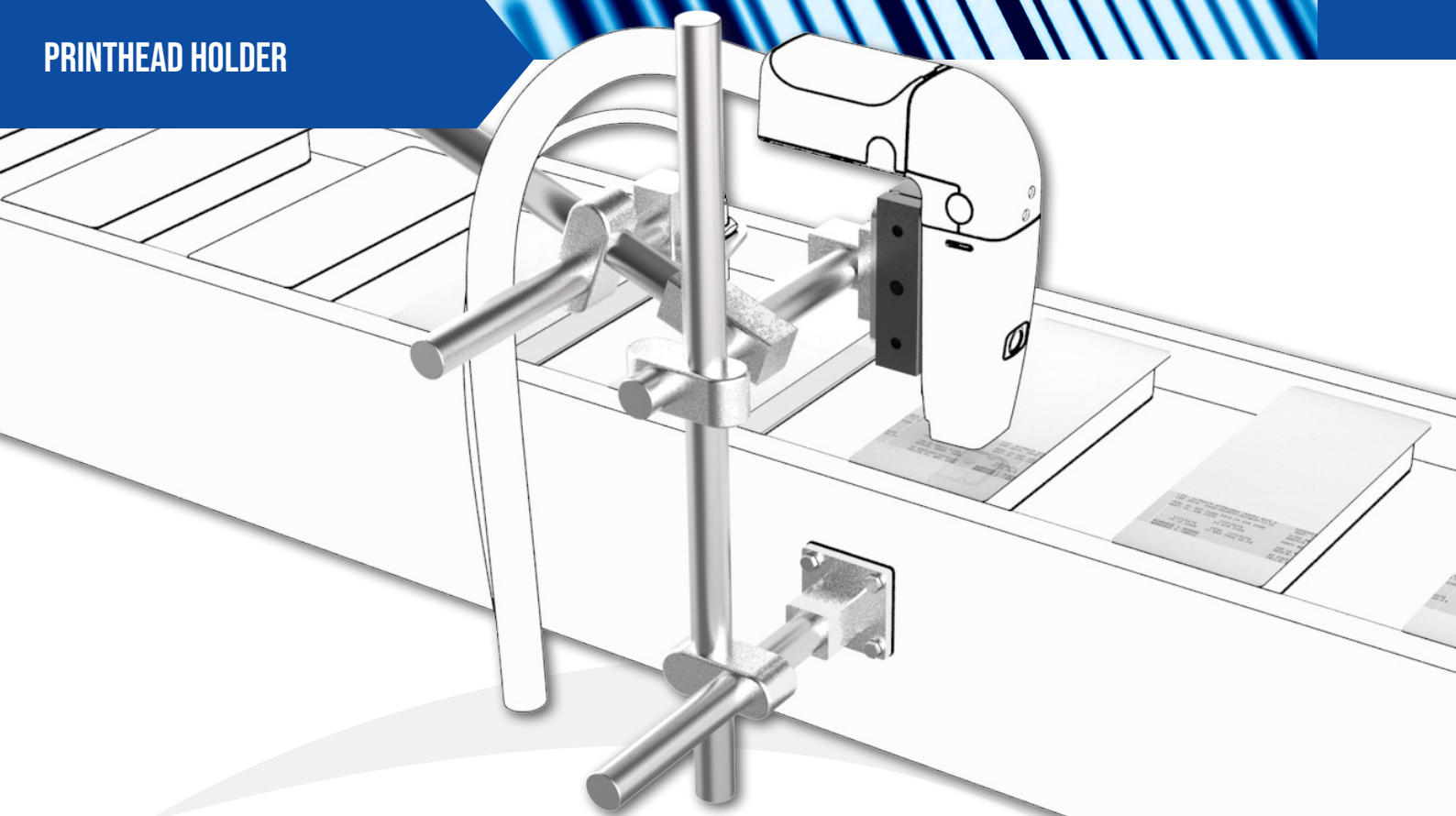


PRINthead HOLDER



Universal printhead holder for on every surface

Unicod 4200 Printhead Holder

- Easy to use in any environment
- Fully adjustable
- Made from stainless steel 304
- Configuration possible in consultation