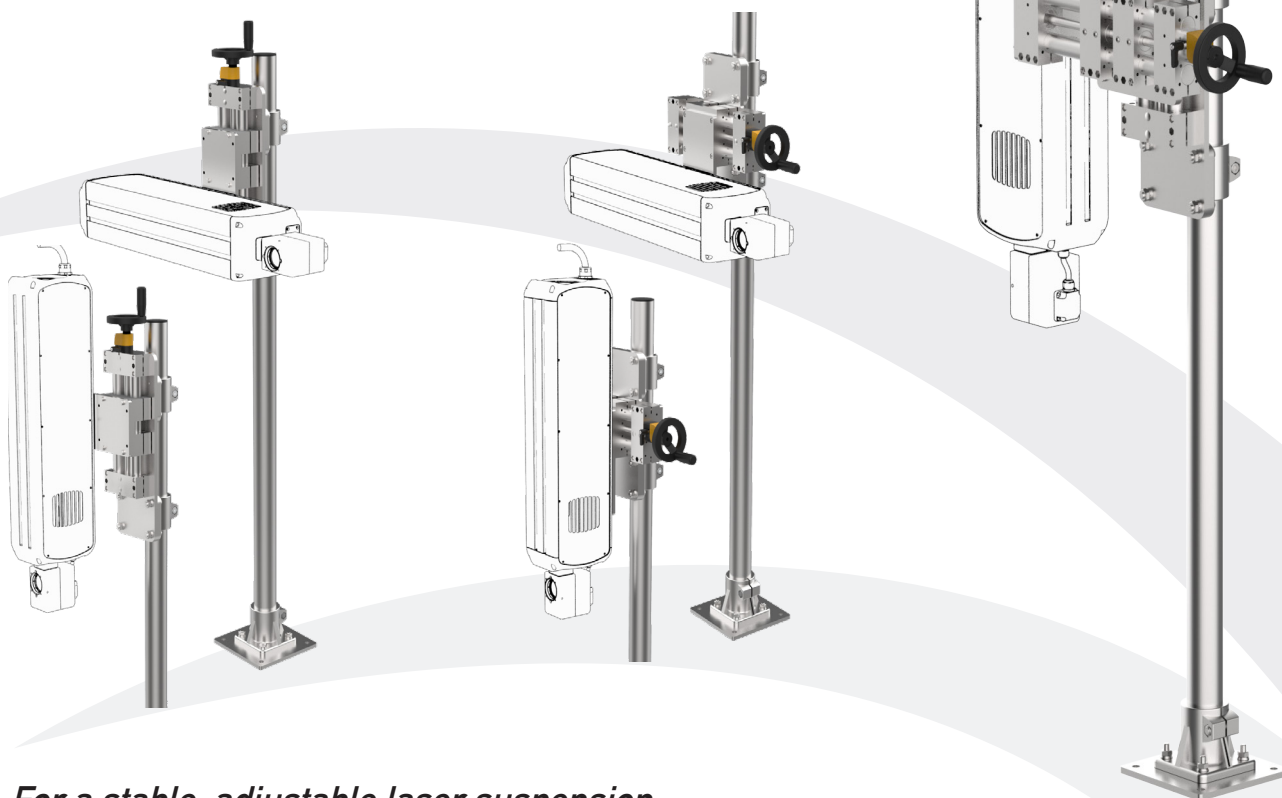


LASER STAND



For a stable, adjustable laser suspension.

Unicod 7200 Laser Stand

- Suitable for all Domino lasers
- Constructed from RVS 304, aluminum clamps, aluminum and chrome-plated steel adjustments
- Equipped with 100mm adjustments
- Adjustable unit can be attached to the tripod at the desired height
- Positions can be read using positioning clocks
- Positions can be locked using locking levers
- Column height is 1500mm
- Execution on request

Optional

- Adjustments expandable up to 150mm
- Positions can be locked using locking levers
- Adjustment aluminum and RVS 304
- Also available in horizontal and vertical combined